



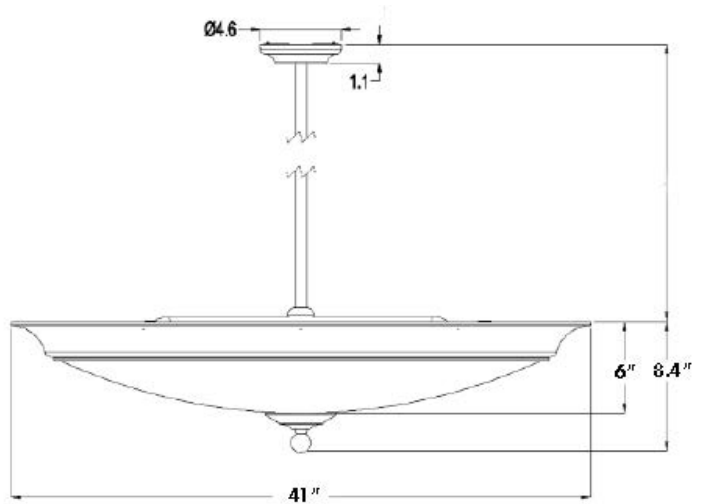
d5501

GRANDE TEMPO PENDANT

PROJECT: _____
 TYPE: _____
 QUANTITY: _____
 NOTES: _____

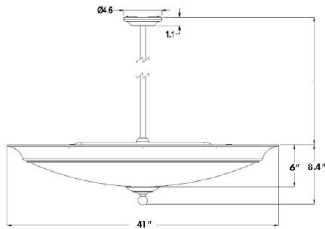
SPECIFICATION

CONSTRUCTION	20-gauge steel construction
DIFFUSER	Formed white opal acrylic with no open holes
MOUNTING	Standard ceiling junction box
STEM³	Rigid 1/2" diameter stem
FINISH	Metal or powder-coat paint
VOLTAGE	120V or 277V
LIGHT SOURCE	88W LED (48W uplight and 40W downlight)
LUMENS	8000lm
SHADE DIMENSION	41" diameter
CODE COMPLIANCE	UL listed, cUL (ETL/ETLc for LED) certified for dry locations



DIMENSIONS

WITH OPTIONAL ROD



ORDERING INFORMATION

MODEL	LAMPING	VOLTAGE	FINISH	OPTIONS
<input type="checkbox"/> d5501	LED88 ² 88W LED, 8000 LUMENS	120 ¹ 120V 277 277V	NI NICKEL PB POLISHED BRASS AB ANTIQUE BRASS WH POWDER COATED WHITE MB MATTE BLACK CH CHROME	ROD ⁵ OPTIONAL DECORATIVE ROD EMP ⁴ EMERGENCY BATTERY PACK
<p align="center">NOTES</p> <ol style="list-style-type: none"> 1. FIXTURES ARE FACTORY PREWIRED FOR 120V 2. 3000K IS THE STANDARD COLOR TEMPERATURE UNLESS OTHERWISE SPECIFIED; ALSO AVAILABLE IN 2700K, 3500K, AND 4000K 3. FIXED LENGTH, NOT FIELD-ADJUSTABLE; CUSTOMER TO SPECIFY OVERALL HEIGHT 4. THE EMERGENCY BATTERY PACK OPTION REQUIRES THE USE OF A 12-1/4" DIAMETER CANOPY 5. CUSTOMER TO SPECIFY TYPE WHEN ORDERING 6. FOR ADDITIONAL MODIFICATIONS, PLEASE CONTACT YOUR D'AC REPRESENTATIVE 				



Phone: 203.775.1805
 P.O. Box 165 | 20 Pocono Road | Brookfield CT 06804
 daclighting.com | cs@daclighting.com

As part of d'ac's continuing efforts to improve the product line, fixtures may be modified or discontinued without prior notice